
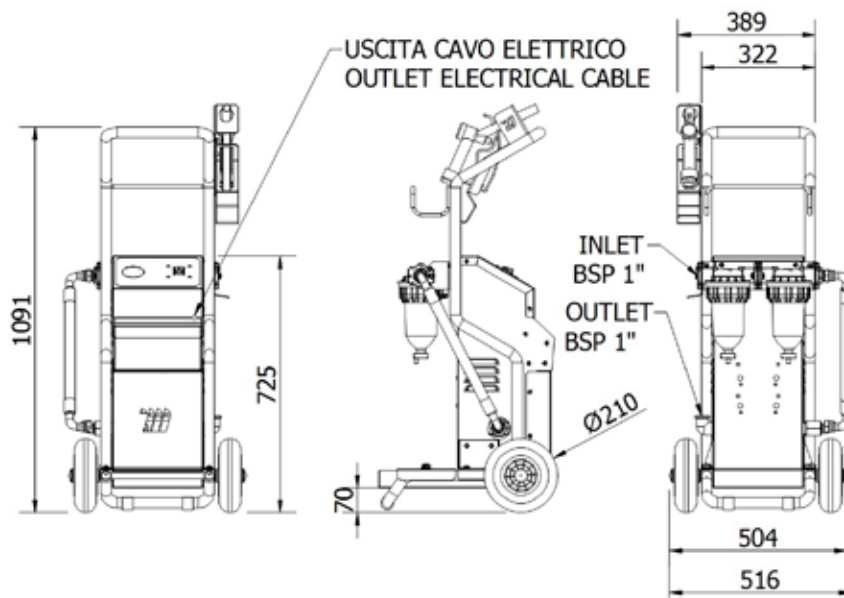


WHEELED FILTER GROUP FOR DIESEL "MecFilter"



Ref.	Descrip.	Flow rate	Voltage	Power	Conn. hose	Inlet-Outlet	Nozzle	Weight	Packaging
	MecFilter	l/min	AC V./Hz DC Volt	W	Ø mm / L m	BSPG		kg	mm

090-6000-230	Diesel Filter	60	230/50	460	20 / 4	F 1" - F 1"	Manual	45,00	530X520X1110
090-6000-115	Diesel Filter	60	115/60	575	20 / 4	F 1" - F 1"	Manual	46,00	530X520X1110
090-6000-012	Diesel Filter	60	12	336	20 / 4	F 1" - F 1"	Manual	45,00	530X520X1110



Filter group for oil and grease absorbing water and impurities. The high efficiency allows the filtering of large quantity of diesel in a single operation. Group equipped with delivery hose and suction hose. Big diameter wheels suitable for moving on every ground, solid structure in painted tubular.

“EcoFilter” series composed by:



Art. 091-5095-060 Electric pump for diesel 230V 50Hz 60 l/min



Art. 091-5099-070 Electric pump for diesel 115V 60Hz 70 l/min



Art. 091-5500-025 Electric pump for oils and lubricants 230V-50Hz 25 l/min



Art. 908-0516-040 Connection hose ø 20 mm M-M 1” 4 m length



Art. 095-5450-040 Suction kit with PVC hose



Art. 093-5200-000 Aluminium manual nozzle MC80 Flow rate 80 l/min



Art. 094-5240-000 Water separating delivery filter for diesel/oil 70 l/min

Art. 094-5280-010 Oil filter 100 l/min 10 μ - Connection F 1”

Art. 094-5281-010 Cartridge for oil filter 10 μ


WHEELED FILTER GROUP FOR OIL / DIESEL "EcoFilter"



090-6020-230



090-6021-230

Ref.	Descrip.	Flow rate	Voltage	Power	Conn. hose	Inlet-Outlet	Nozzle	Weight	Packaging
	EcoFilter	l/min	AC V./Hz DC Volt	W	Ø mm / L m	BSPG		kg	mm

090-6020-230	Diesel Filter	60	230/50	460	20 4m	F 1" - F 1"	Manual	24,00	990X350X405
090-6020-115	Diesel Filter	70	115/60	575	20 4m	F 1" - F 1"	Manual	25,00	990X350X405
090-6021-230	Oil Filter	25	230/50	850	20 4m	F 1" - F 1"	Manual	26,40	990X350X405

